

## PAINTED STEEL Fixed - Swivelling

### Series



270-300-350



430-530-540



430-530  
540-560  
Aisi 316



560



440-4440 ABS



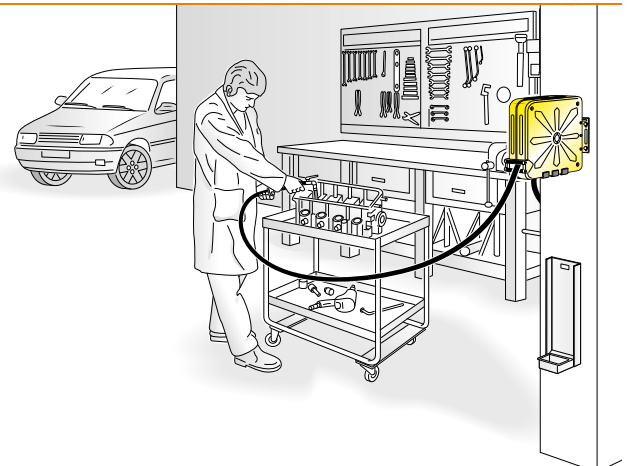
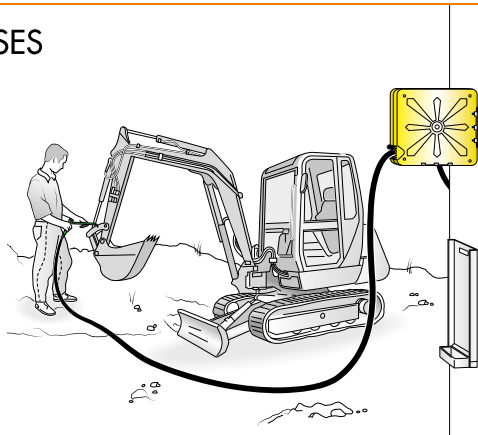
4430 ABS



Resistant with the corrosion: all the components are painted (painting with epoxy powder coating, thickness min. 80µ), or finished with a galvanic treatment, ideal to work externally.  
Easy to install everywhere, like for example on the wall, on the floor, on the ceiling and on the vehicles.

Fluid - Pressure	PAINTED STEEL		
	Swivel joint	Seals	Central shaft
Air, Water <b>20 bar</b>	brass	Viton	galvanised steel
Oil and similar <b>150 bar</b>	galvanised steel	Polyurethane	galvanised steel
Grease <b>400 bar</b>	galvanised steel	Polyurethane	galvanised steel
Suction waste oil	galvanised steel	Polyurethane	galvanised steel

### USES



# Series 4440 ABS

## PAINTED STEEL ABS Fixed - Swivelling



ABS shock proof internal drum

Cover and bracket in painted steel

It has an internal drum in shockproof ABS. It is a valid alternative to the version with drum in painted steel, with less weight but with the same characteristics of sturdiness and reliability.

According to the model, they are compliant at the following Atex legislation:

Atex 94/9 IIB 2GD c T4 T135°C X  
Atex 94/9 II 3GD c X



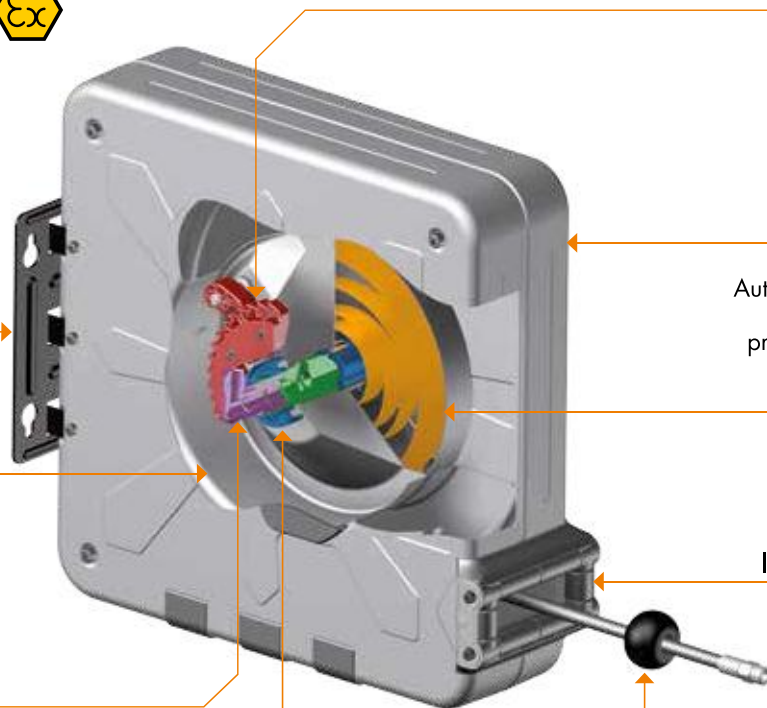
**Automatic block system** built with material compliant with Atex legislation, it allows the block of the hose at the desired measure.

Solid and compact **fixed painted steel bracket** with 4 slotted mounting holes for easy and safe installation.

**Drum in painted steel or in shockproof ABS.**

**Swivel joint** with ideal internal dimensions to guarantee the most possible flow. It is realized in brass, galvanize steel, with seals in Polyurethane, Viton.

**Drum support bushings** in TENAXID®, self lubricating, material resistant against corrosion.



**Hose reel cover** is in painted steel; it is sturdy with beads and borders rounded.

Automatic with constant **strength spring** completely enclosed protected and lubricated inside the reel. Tested to resist from 15000 to 20000 cycles.\*

Large and **multidirectional roller guide** with self lubricating hose guide rollers.

**Adjustable hose stop.**

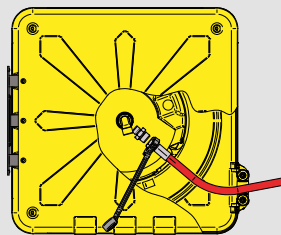
\* A cycle is composed by a number of rotations in one direction and the same in the opposite direction. The number of rotations depends on the spring model. This allows to simulate the rewinding and unwinding of a hose with its maximum length.

## Hose reel capacity

Hose external diameter	Hose reel series 440 - 4440 ABS
ø 17 mm	length max. 21 m
ø 19,5 mm	length max. 16 m
ø 22 mm	length max. 14 m

## Hose reel outlet hose connection

For hoses up to 1/2"		
Series	Inlet	Outlet
440	F 1/2"	F 1/2"
4440 ABS	F 1/2"	F 1/2"

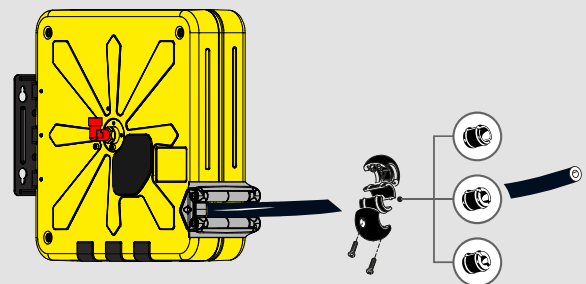


The hose reel structure is designed also to facilitate the mounting and the disassembly of the hose.

## Universal hose stop

The universal hose stop is just mounted in all models with hose. The models without hose come, together with the hose stop, with some adaptors for hoses of different sizes.

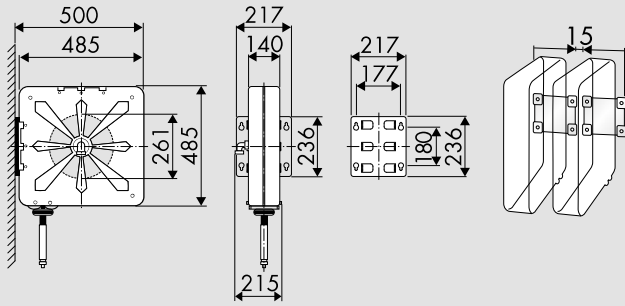
Following table summarizes the internal diameters of the hose stop, available for all the series.



Fluid - Pressure	Series 440 (ø mm)	Series 4440 ABS (ø mm)
Air - Water <b>20 bar</b>	14-17-19-26	14-17-19-26
Oil and similar <b>150 bar</b>	14-17-19-26	14-17-19-26
Grease <b>400 bar</b>	14-17-19-26	14-17-19-26
Suction waste oil	14-17-19-26	-

# Overall dimensions (mm)

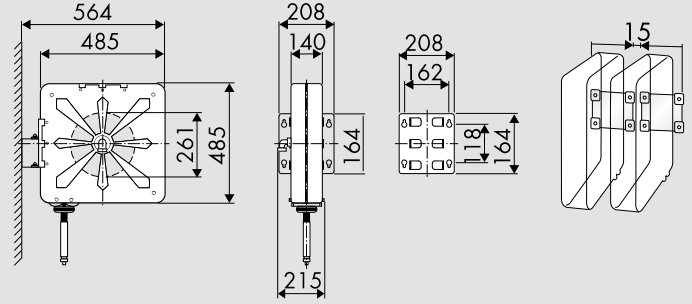
## FIXED



Series	1-m <sup>3</sup>	Kg*
440	0,111	from 23 to 29

\* Packing is included in the weight

## SWIVELLING

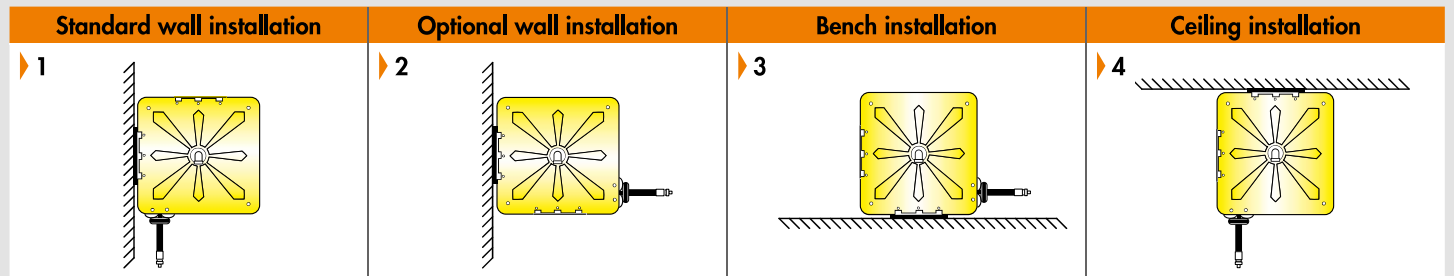


Series	1-m <sup>3</sup>	Kg*
4440 ABS	0,111	from 19 to 25

\* Packing is included in the weight

# Hose reel installation

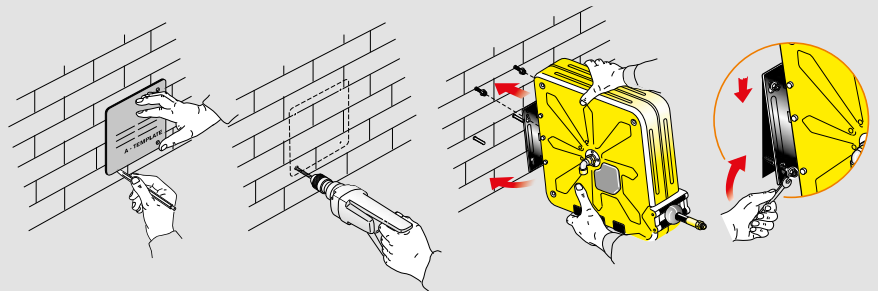
The adjustable arms can be easily repositioned according to needs



# Wall mounting

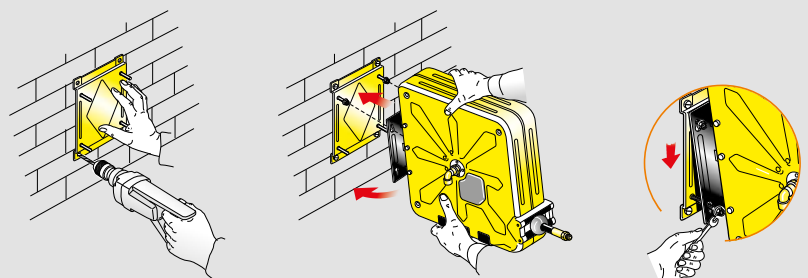
## TEMPLATE

The solid and compact fixed bracket, included with the hose reel, is provided with four slotted mounting holes for easy and safe installation. Using the template supplied with the hose reel it's easier to mark plugs holes for hose reel fixing.



## FIXED BRACKET

On request an additional bracket for a quick installation and disassembly is available. Furthermore this bracket allows installing several hose reels in series. The P/N takes the suffix /SM. For example: 440/10 becomes 440/10/SM.



## SWIVELLING BRACKET

On request a swivelling bracket to make the reel turning 40° to the right and 40° to the left is available. The P/N takes the suffix /SO. For example: 440/10 becomes 440/10/SO.

